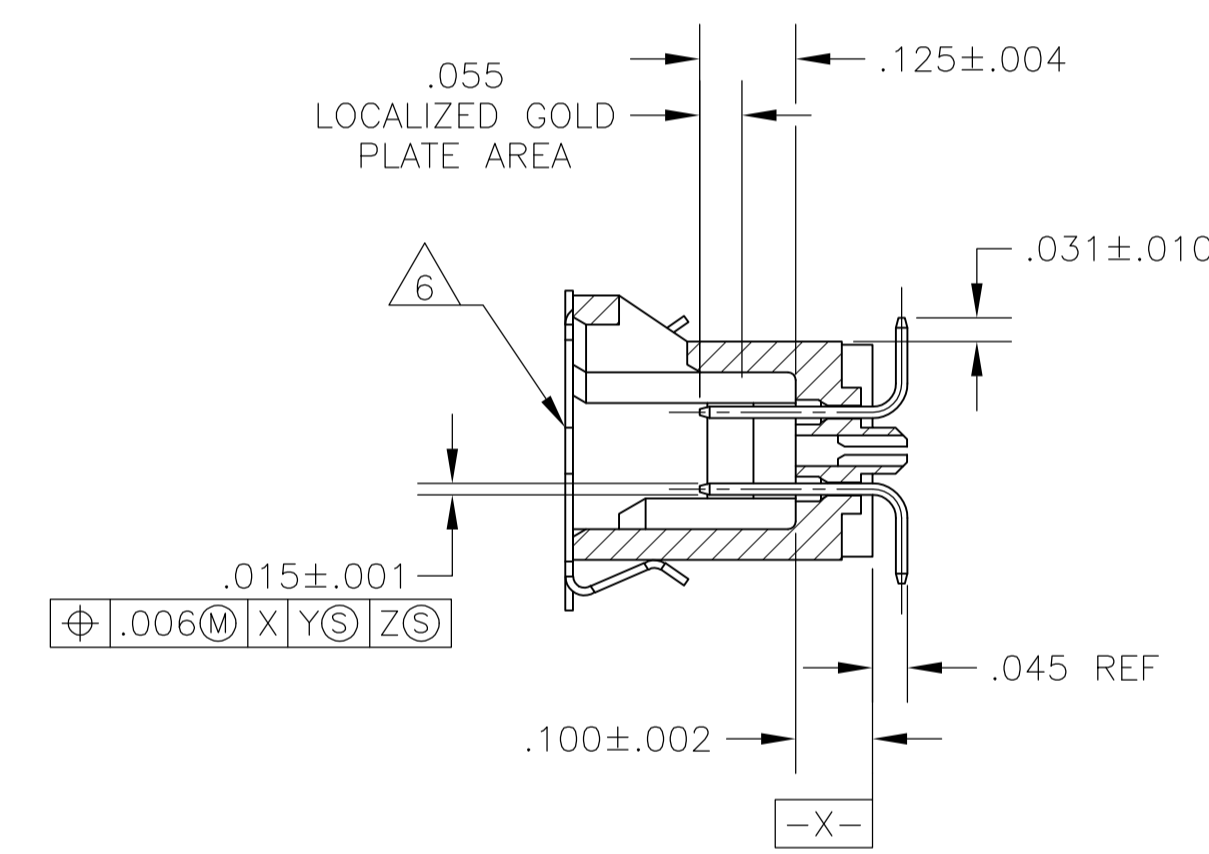
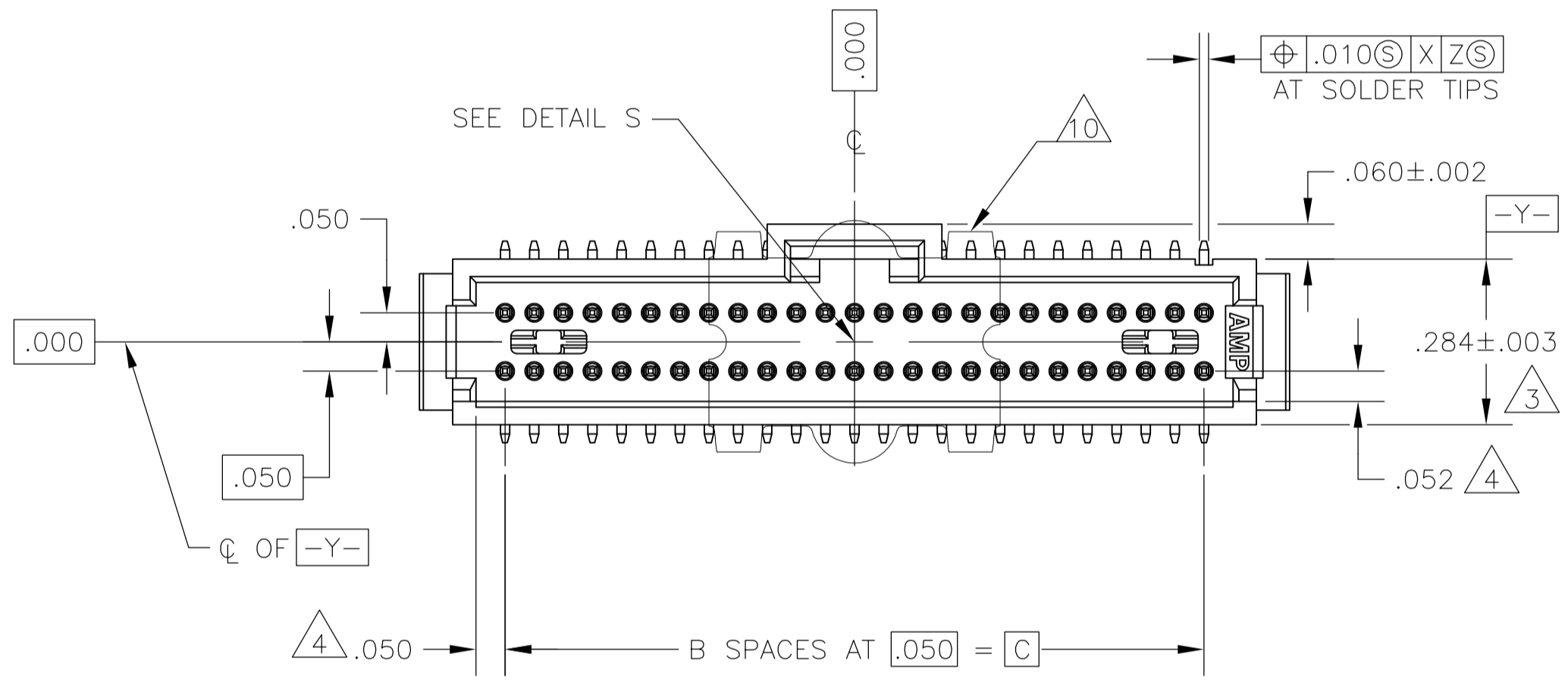
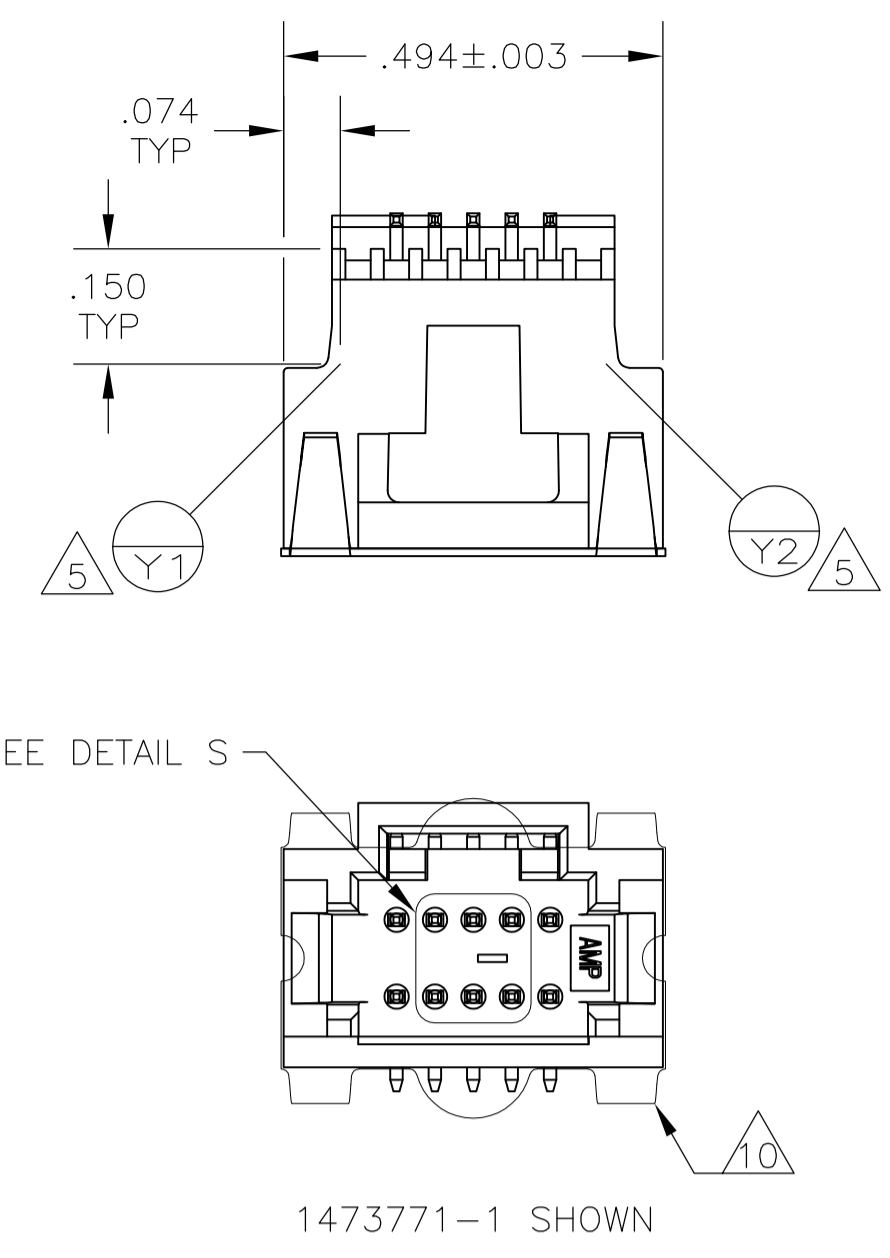
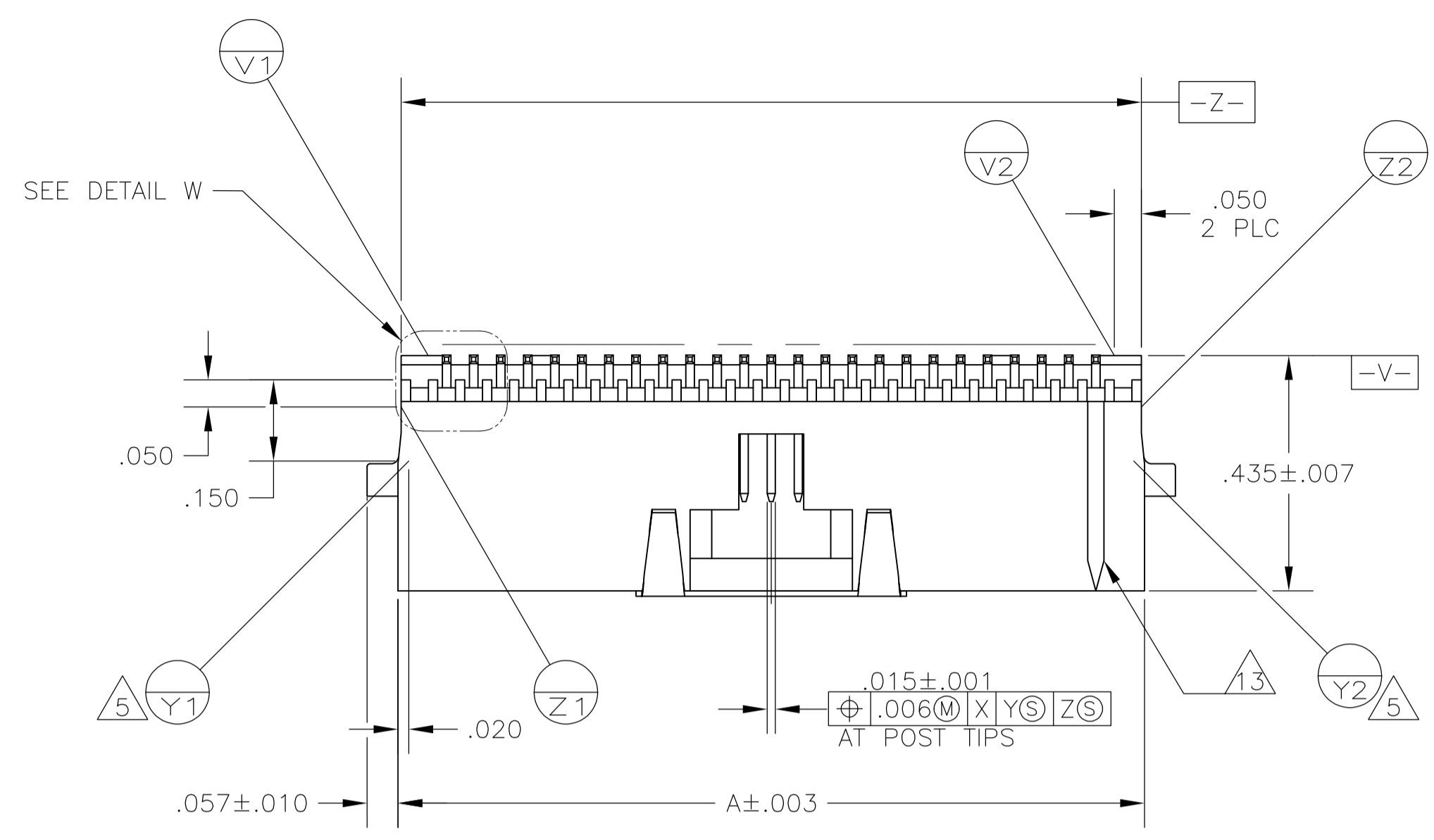
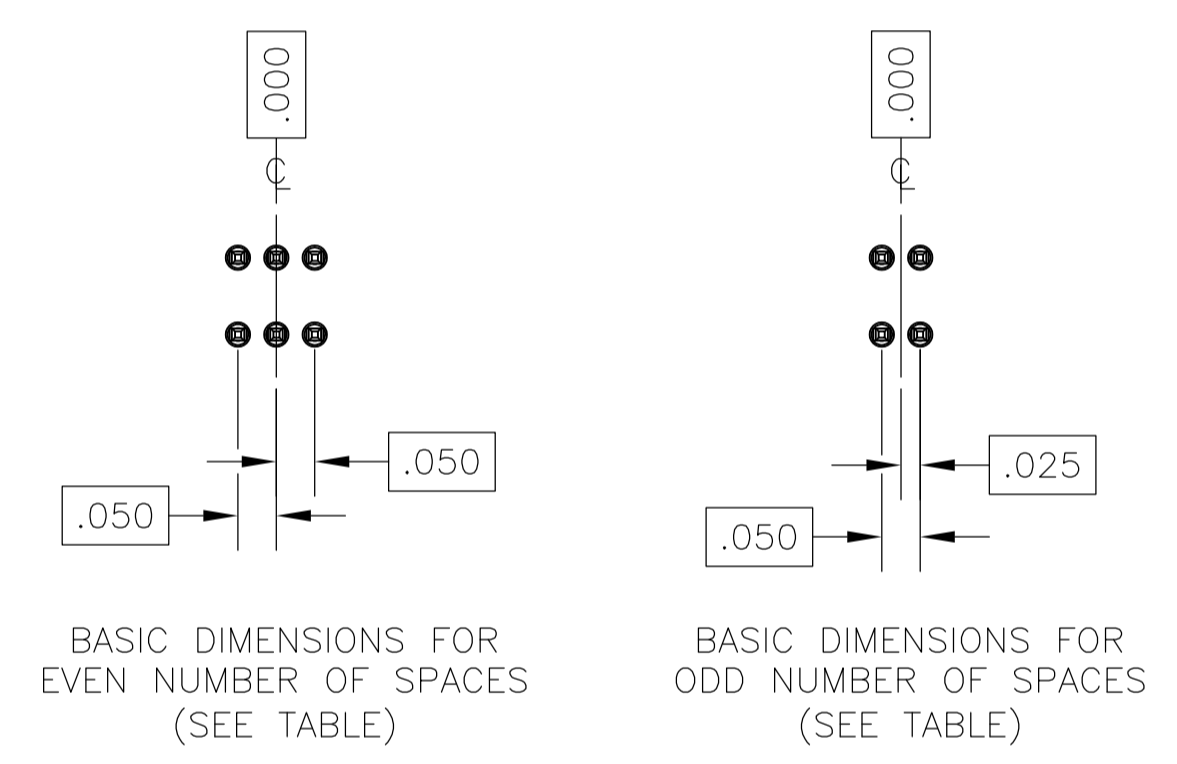


LOC		DIST		REVISIONS			
AD	00	REV	DATE	BY	APPV	DATE	REV
G	REVISED PER ECO-15-004125		18JUN2015	NK	JO		

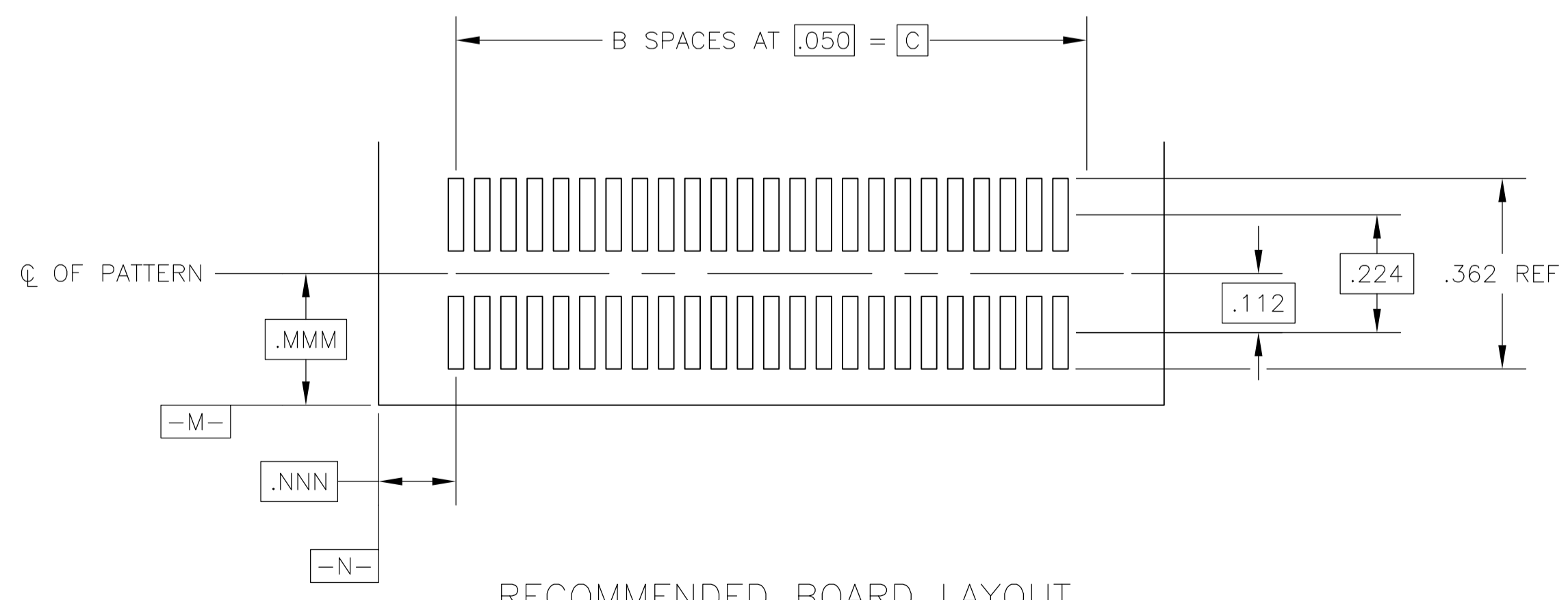


- 1 .000030 GOLD IN LOCALIZED PLATE AREA, .000150 TIN-LEAD ON SOLDER TAILS ALL OVER .000050 NICKEL.
- 2 CIRCUIT IDENTIFICATION FEATURE OMITTED ON 10 POSITION HEADER ASSEMBLIES.
- 3 DIMENSION APPLIES AT BASE OF SHROUD.
- 4 THE NOTED DIMENSIONS APPLY AT THE MATING FACE OF THE HOUSING.
- 5 (Y3) (Y4) ARE LOCATED THE SAME AS (Y1) (Y2) EXCEPT ON OPPOSITE SIDE OF HOUSING.
- 6 VACUUM COVER DESIGNED FOR .160 [4mm] DIA NOZZLE. VACUUM COVER TO BE REMOVED AFTER SOLDERING.
- 7 PACKAGED IN TAPE AND REEL PER EIA-481 SPECIFICATIONS. SEE CHART FOR TAPE WIDTHS.
- 8 .265 [6.75mm] MIN TARGET AREA FOR VACUUM PICK-UP.
- 9 HOUSING: PPA. CONTACT: COPPER ALLOY. VACUUM COVER: ALUMINUM
- 10 VACUUM COVER SHOWN IN PHANTOM LINE.
- 11 .000030 GOLD IN LOCALIZED PLATE AREA, .000150 TIN ON SOLDER TAILS, ALL OVER .000050 NICKEL.
- 12 OBSOLETE PARTS: OBSOLETE CIS STREAMLINING PER D.RENAUD / D.SINISI
- 13 NO CIRCUIT IDENTIFICATION FEATURE ON 10,12,20,24 AND 30 POSITION PARTS.

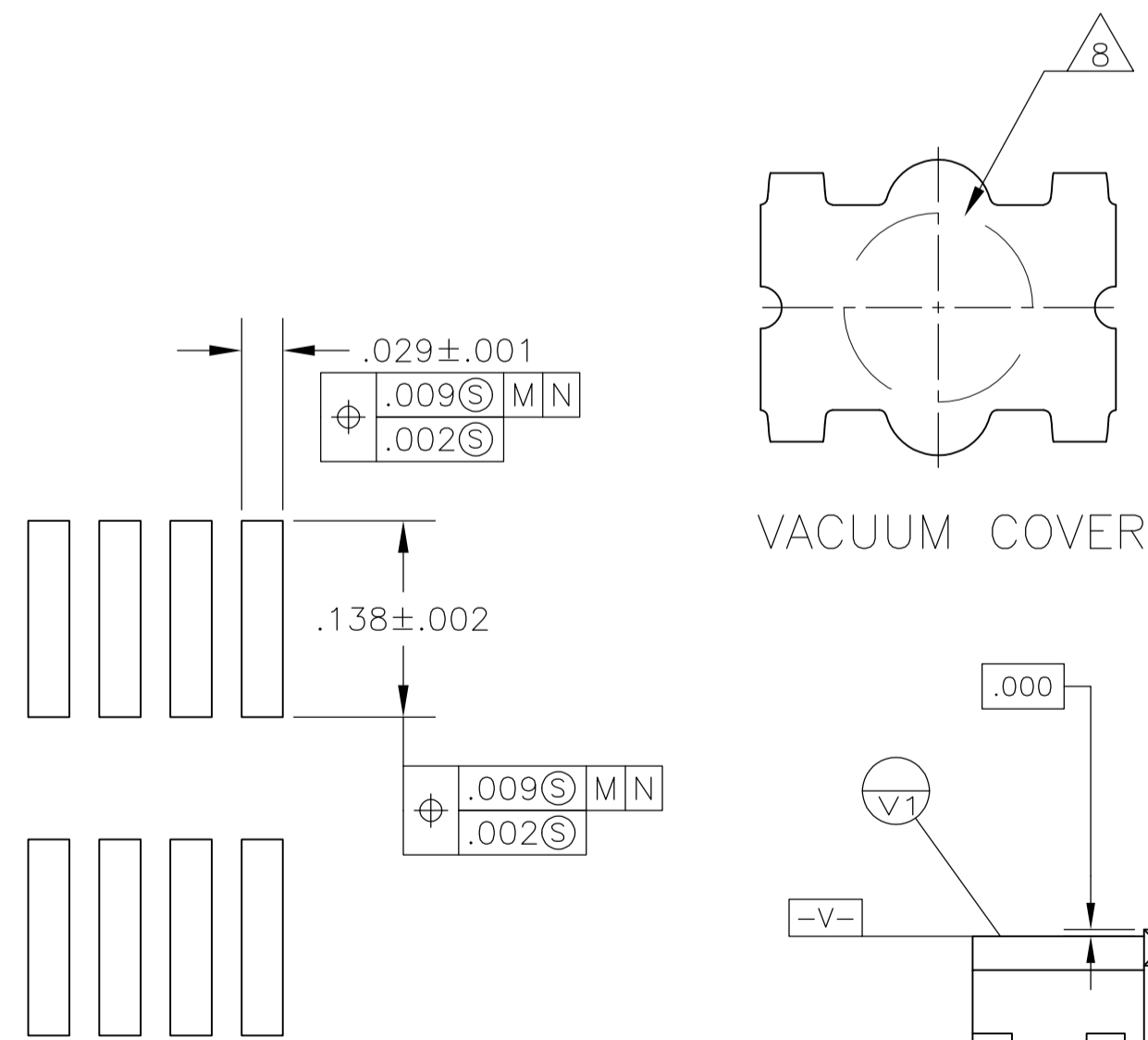


DETAIL S

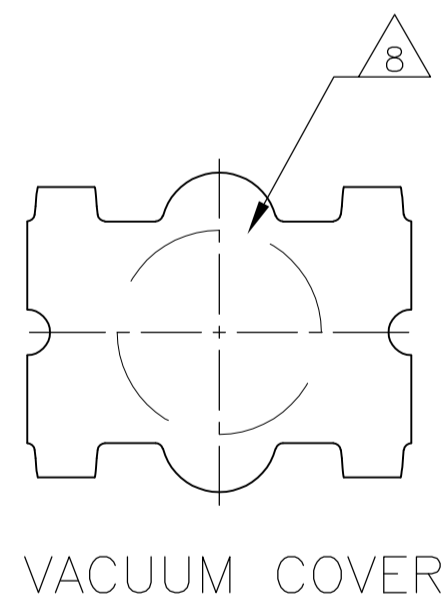
- 14 FINISH: .000001 MIN GOLD ON GOLD PLATED AREA, .000150-.000250 MATTE TIN-LEAD ON TIN PLATED AREA. UNDER PLATING TO BE .000050-.000100 NICKEL ON ENTIRE CONTACT.
- 15 FINISH: .000001 MIN GOLD ON GOLD PLATED AREA, .000150-.000250 MATTE TIN ON TIN PLATED AREA. UNDER PLATING TO BE .000050-.000100 NICKEL ON ENTIRE CONTACT.
- 16 PRELIMINARY - NOT FOR PRODUCTION



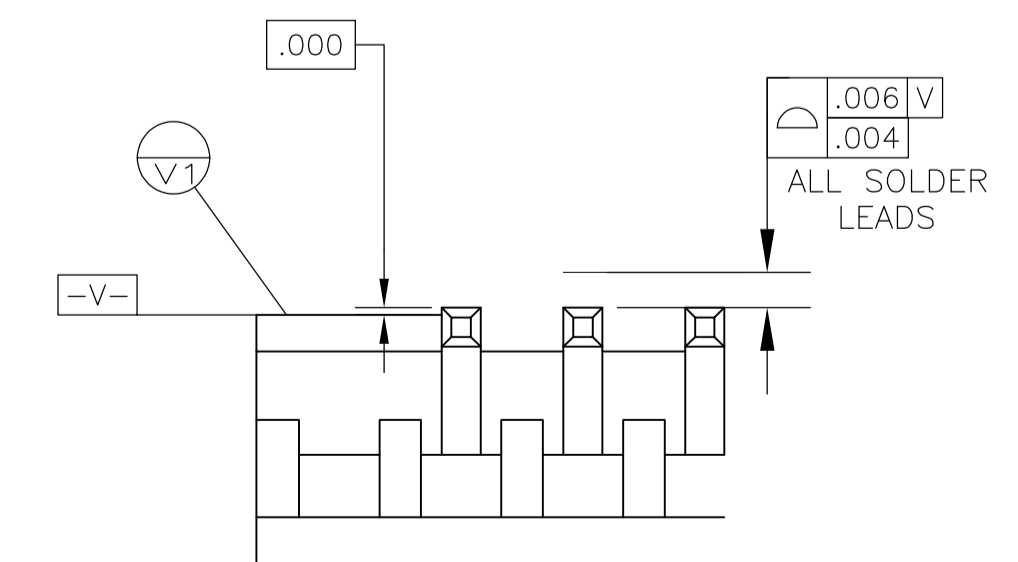
RECOMMENDED BOARD LAYOUT



DETAIL G SCALE 8:1



VACUUM COVER





DETAIL W

THIS DRAWING IS A CONTROLLED DOCUMENT.		DIN B HAYMAKER 17JAN00	 TE Connectivity
DIMENSIONS: INCHES		CHK J. MOSIER 17JAN00	
TOLERANCES UNLESS OTHERWISE SPECIFIED:		APVD J. MOSIER 17JAN00	NAME: HEADER ASSEMBLY, W/SIDE & END LATCHES, VERTICAL, SHROUDED, DOUBLE ROW, SURFACE MOUNT
0 PLC ± -		PRODUCT SPEC	108-1093
1 PLC ± -		APPLICATION SPEC	114-25035
2 PLC ± -		SIZE	A1
3 PLC ± .005		WEIGHT	00779
4 PLC ± -		CAGE CODE	147377
ANGLES ± -		RESTRICTED TO	
MATERIAL	FINISH	CUSTOMER DRAWING	SCALE 4:1 SHEET 1 OF 2 REV G

15	56MM	1.050	21	1.230	44	15 8-147377-0	
	44mm	.550	11	.730	24	15 7-147377-9	
	88mm	2.450	49	2.630	100	15 7-147377-8	
	88mm	1.950	39	2.130	80	15 7-147377-7	
	72mm	1.450	29	1.630	60	15 7-147377-6	
	56mm	1.200	24	1.380	50	15 7-147377-5	
	56mm	.950	19	1.130	40	15 7-147377-4	
	56mm	.700	14	.880	30	15 7-147377-3	
	44mm	.450	9	.630	20	15 7-147377-2	
	32mm	.200	4	-	10	15 7-147377-1	
	11	56MM	1.050	21	1.230	44	11 6-147377-0
		44mm	.550	11	.730	24	11 5-147377-9
		88mm	2.450	49	2.630	100	11 5-147377-8
88mm		1.950	39	2.130	80	11 5-147377-7	
72mm		1.450	29	1.630	60	11 5-147377-6	
56mm		1.200	24	1.380	50	11 5-147377-5	
56mm		.950	19	1.130	40	11 5-147377-4	
56mm		.700	14	.880	30	11 5-147377-3	
44mm		.450	9	.630	20	11 5-147377-2	
32mm		.200	4	-	10	11 5-147377-1	
FINISH	TAPE WIDTHS	C	B	A	NO OF POSN	PART NUMBER	

14	56MM	1.050	21	1.230	44	14 3-147377-0	
	44mm	.550	11	.730	24	14 2-147377-9	
	88mm	2.450	49	2.630	100	14 2-147377-8	
	88mm	1.950	39	2.130	80	14 2-147377-7	
	72mm	1.450	29	1.630	60	14 2-147377-6	
	56mm	1.200	24	1.380	50	14 2-147377-5	
	56mm	.950	19	1.130	40	14 2-147377-4	
	56mm	.700	14	.880	30	14 2-147377-3	
	44mm	.450	9	.630	20	14 2-147377-2	
	32mm	.200	4	-	10	14 2-147377-1	
	1	56MM	1.050	21	1.230	44	1 4-147377-0
		44mm	.550	11	.730	24	1 147377-9
		88mm	2.450	49	2.630	100	1 147377-8
88mm		1.950	39	2.130	80	1 147377-7	
72mm		1.450	29	1.630	60	1 147377-6	
56mm		1.200	24	1.380	50	1 147377-5	
56mm		.950	19	1.130	40	1 147377-4	
56mm		.700	14	.880	30	1 147377-3	
44mm		.450	9	.630	20	1 147377-2	
32mm		.200	4	-	10	1 147377-1	
FINISH	TAPE WIDTHS	C	B	A	NO OF POSN	PART NUMBER	

THIS DRAWING IS A CONTROLLED DOCUMENT.		DWN B. HAYMAKER 17JAN00 CHK J. MOSIER 17JAN00 APVD J. MOSIER 17JAN00	 TE Connectivity
DIMENSIONS: INCHES 	TOLERANCES UNLESS OTHERWISE SPECIFIED: 0. PLC ± - 1. PLC ± - 2. PLC ± - 3. PLC ± .005 4. PLC ± - ANGLES ± -	NAME HEADER ASSEMBLY, W/SIDE & END LATCHES, VERTICAL, SHROUDED, DOUBLE ROW, SURFACE MOUNT PRODUCT SPEC 108-1093 APPLICATION SPEC 114-25035	SIZE A1 CAGE CODE 00779 DRAWING NO 147377 RESTRICTED TO -
MATERIAL 9	FINISH SEE NOTES	WEIGHT - CUSTOMER DRAWING	SCALE 4:1 SHEET 2 OF 2 REV G